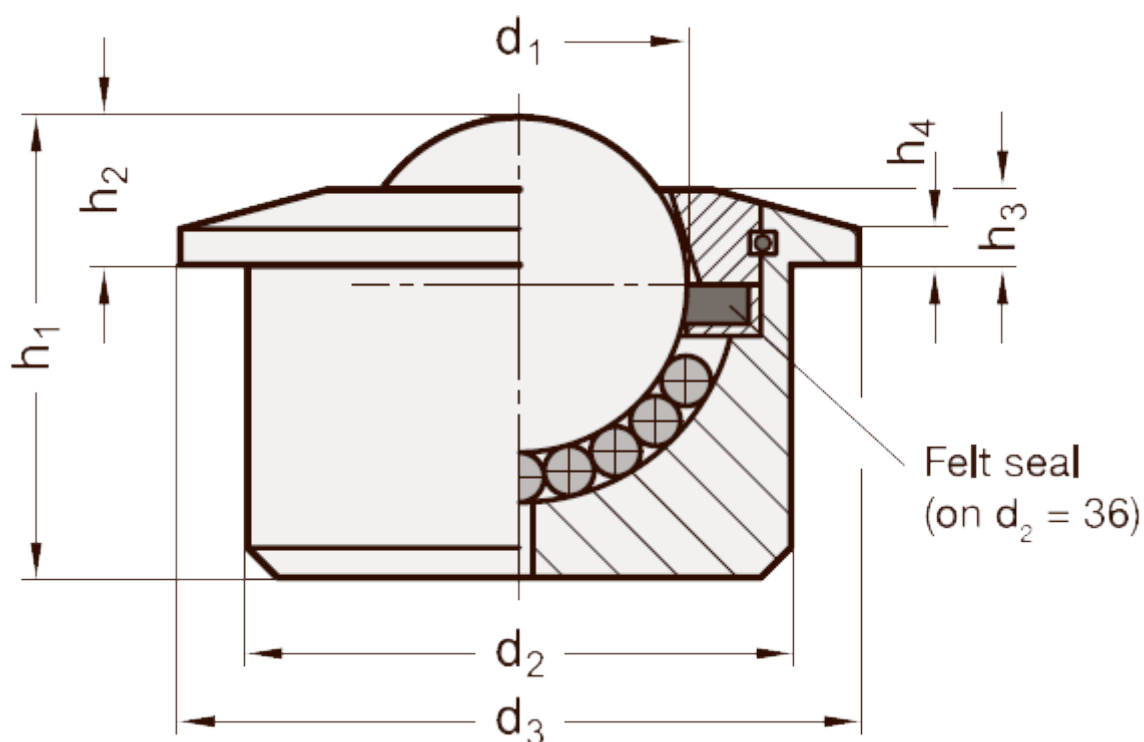


Article number: 20607038

Description: E+G Ball transfer unit
GN 509.1-45-SBL

Measures



d_1	= 44.4	Size	= 45
$d_2 \pm 0.08$	= 62	Weight in (g)	= 980
d_3	= 75		
$h_1 \pm 0.3$	= 53.5		
$h_2 \pm 0.3$	= 19		
$h_3 \pm 0.3$	= 9.5		
h_4	= 5.5		
Max load (N)	= 6000		